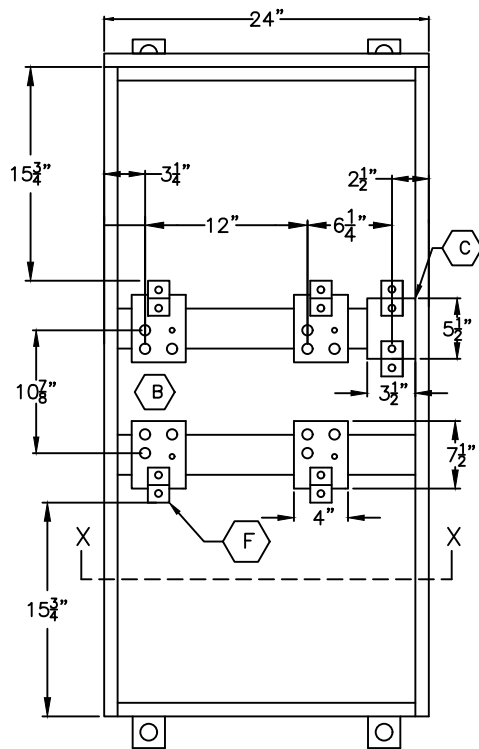
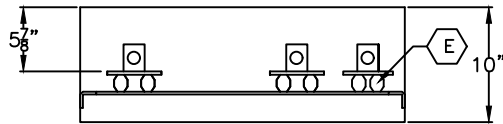


SIDE VIEW
(LESS DOOR)

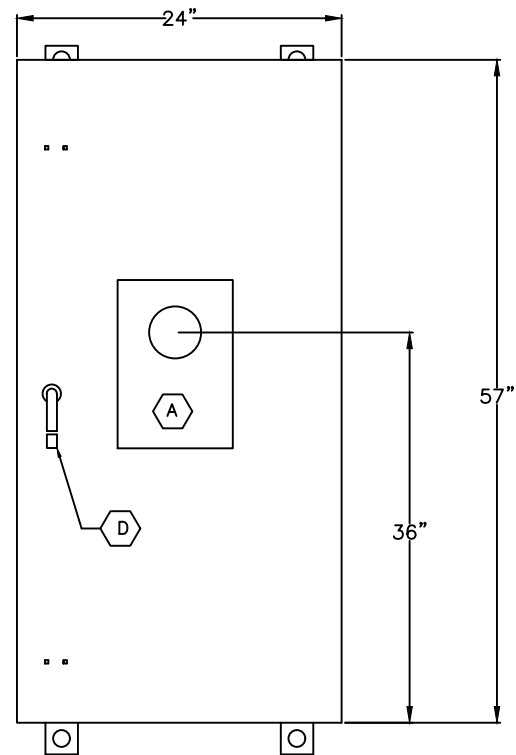


FRONT VIEW
(LESS DOOR)



VIEW AT X-X

- A** METER FITTING, 1Ø 3W, C/T RATED, 6 JAW.
- B** 1/4"x4"x7 1/2" SILVER PLATED COPPER PHASE DETAILS WITH (1) 750MCM OR (2) 350MCM LUG
- C** 1/4"x3 1/2"x5 1/2" SILVER PLATED COPPER NEUTRAL DETAILS WITH (1) 750MCM OR (2) 350MCM LINE & LOAD LUG
- D** PADLOCKABLE HANDLE WITH 3-POINT CATCH AND PROVISION FOR 7/16" DIAMETER LOCK
- E** GLASTIC INSULATORS.
- F** 1-750MCM PER PHASE & NEUTRAL



FRONT ENCLOSED
VIEW

GENERAL NOTES:

- CURRENT TRANSFORMER METERING CABINET 1Ø3W, AS PER COMED REQUIREMENTS AS PER PAGES 172 & 173.
- TYPE 3R OUTDOOR ENCLOSURE.
- ENCLOSURE MADE OF 0.100"+/-0.006" ALUMINUM



TITLE:
400A C/T & METER FITTING
(COPPER)
1Ø3W 65,000A WITHSTAND RATING
TYPE 3R

JOB:

CUSTOMER:

REV: 10/31/2017
DATE: 04/28/2016
DWG#:
CTMF4013

POWER DISTRIBUTION EQUIPMENT CO, INC.
3010 WILLOW STREET
FRANKLIN PARK, IL 60131
PH: (847) 455-2500; FAX: (847) 455-2595

DWN: TS

JOB#:
NTS
PAGE 1 OF 1