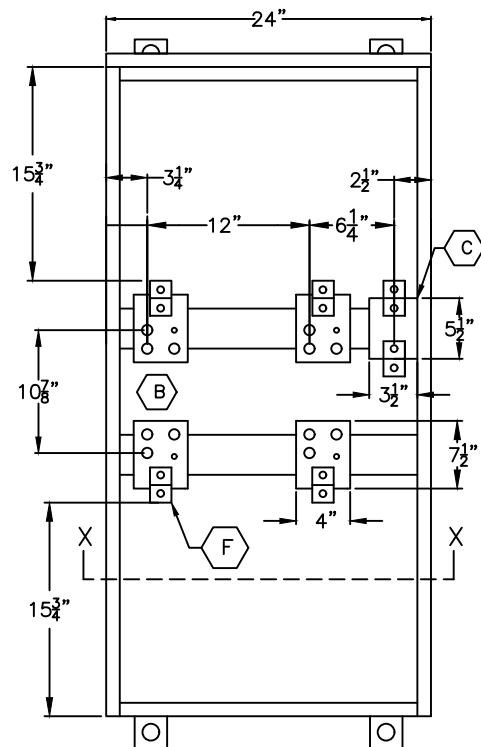
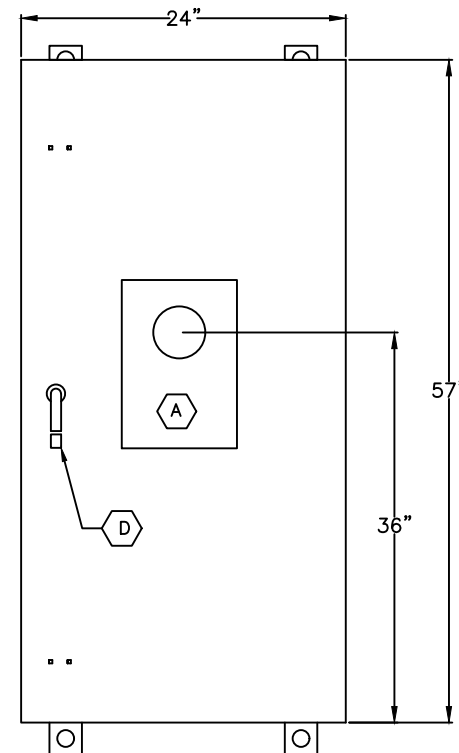


SIDE VIEW  
(LESS DOOR)

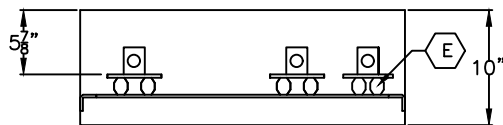


FRONT VIEW  
(LESS DOOR)

- (A) METER FITTING, 1Ø 3W, C/T RATED, 6 JAW.
- (B) 1/4"x4"x7 1/2" TIN PLATED ALUMINUM PHASE DETAILS WITH (1) 750MCM OR (2) 350MCM LUG
- (C) 1/4"x3 1/2"x5 1/2" TIN PLATED ALUMINUM NEUTRAL DETAILS WITH (1) 750MCM OR (2) 350MCM LINE & LOAD LUG
- (D) PADLOCKABLE HANDLE WITH 3-POINT CATCH AND PROVISION FOR 7/16" DIAMETER LOCK
- (E) GLASTIC INSULATORS.
- (F) 1-750MCM PER PHASE & NEUTRAL



FRONT ENCLOSED  
VIEW



VIEW AT X-X

**GENERAL NOTES:**

- CURRENT TRANSFORMER METERING CABINET 1Ø3W, AS PER COMED REQUIREMENTS AS PER PAGES 172 & 173.
- TYPE 3R OUTDOOR ENCLOSURE.
- ENCLOSURE MADE OF 0.100"+/-0.006" ALUMINUM



TITLE:  
400A C/T & METER FITTING  
(ALUMINUM)  
1Ø3W 65,000A WITHSTAND RATING  
TYPE 3R

JOB:

CUSTOMER:

REV: 10/31/2017  
DATE: 04/28/2016  
DWG#:  
CTMF4013A

POWER DISTRIBUTION EQUIPMENT CO, INC.  
3010 WILLOW STREET  
FRANKLIN PARK, IL 60131  
PH: (847) 455-2500; FAX: (847) 455-2595

DWN: TS

JOB#:  
NTS  
PAGE 1 OF 1