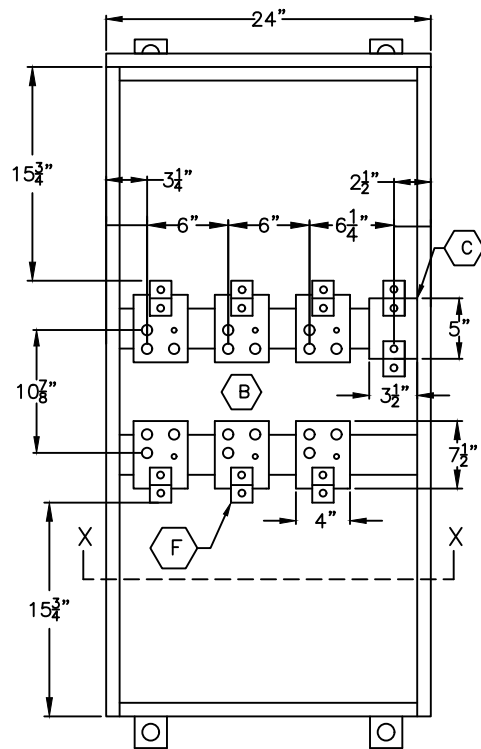
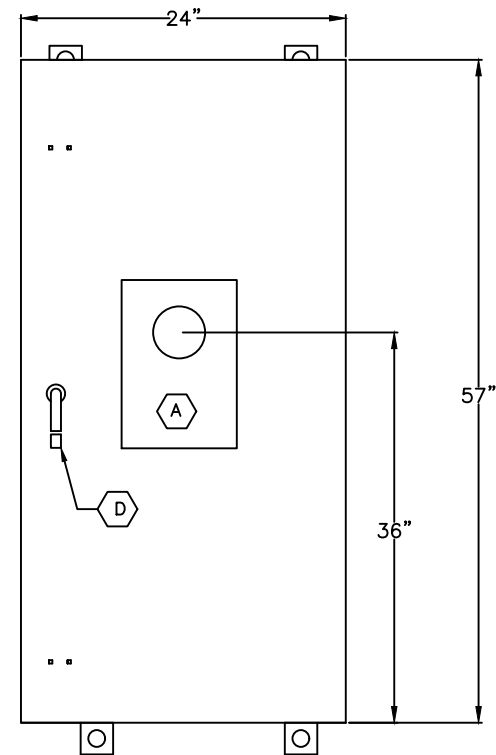


SIDE VIEW
(LESS DOOR)

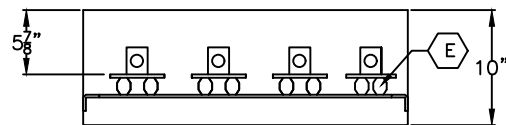


FRONT VIEW
(LESS DOOR)

- A METER FITTING, 3 ϕ 4W, C/T RATED, 13 JAW.
- B 1/4"x4"x7 1/2" TIN PLATED ALUMINUM PHASE DETAILS WITH (1) 750MCM OR (2) 350MCM LUG
- C 2-1/4"x2" TIN PLATED ALUMINUM NEUTRAL DETAILS WITH (1) 750MCM OR (2) 350MCM LINE & LOAD LUGS
- D PADLOCKABLE HANDLE WITH 3-POINT CATCH AND PROVISION FOR 7/8" DIAMETER LOCK
- E GLASTIC INSULATORS.
- F 1-750MCM PER PHASE & NEUTRAL



FRONT ENCLOSED
VIEW



VIEW AT X-X

GENERAL NOTES:

- CURRENT TRANSFORMER METERING CABINET 3 ϕ 4W, AS PER COMED REQUIREMENTS AS PER PAGES 172 & 173.
- TYPE 3R OUTDOOR ENCLOSURE.
- ENCLOSURE MADE OF 0.100"+/-0.006" ALUMINUM



TITLE:
400A C/T & METER FITTING (ALUMINUM)
3 ϕ 4W 65,000A WITHSTAND RATING
TYPE 3R

JOB:

CUSTOMER:

REV: 10/31/2017
DATE: 04/28/2016
DWG#:
CTMF4034A

POWER DISTRIBUTION EQUIPMENT CO, INC.
3010 WILLOW STREET
FRANKLIN PARK, IL 60131
PH: (847) 455-2500; FAX: (847) 455-2595

DWN: TS

JOB#:
NTS
PAGE 1 OF 1