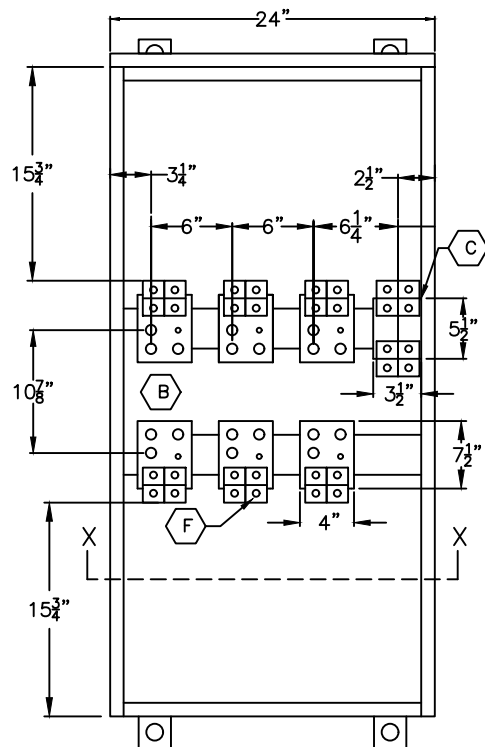
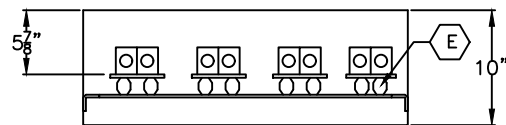


SIDE VIEW  
(LESS DOOR)

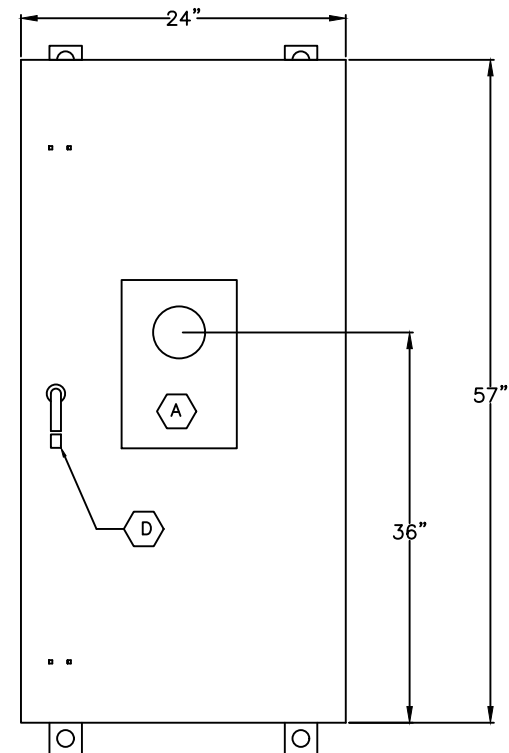


FRONT VIEW  
(LESS DOOR)



VIEW AT X-X

- (A) METER FITTING, 3 $\phi$  4W, C/T RATED, 13 JAW.
- (B) 2- $\frac{1}{4}$ "x4"x13- $\frac{1}{2}$ " SILVER PLATED COPPER PHASE DETAILS WITH (2) 750MCM OR (4) 350MCM LUGS
- (C) 2- $\frac{1}{4}$ "x4"x13- $\frac{1}{2}$ " SILVER PLATED COPPER NEUTRAL DETAILS WITH (2) 750MCM OR (4) 350MCM LINE & LOAD LUGS
- (D) PADLOCKABLE HANDLE WITH 3-POINT CATCH AND PROVISION FOR  $\frac{7}{16}$ " DIAMETER LOCK
- (E) GLASTIC INSULATORS.
- (F) 2-750MCM PER PHASE & NEUTRAL.



FRONT ENCLOSED VIEW

**GENERAL NOTES:**

- CURRENT TRANSFORMER METERING CABINET 3 $\phi$ 4W, AS PER COMED REQUIREMENTS AS PER PAGES 172 & 173.
- TYPE 3R OUTDOOR ENCLOSURE.
- ENCLOSURE MADE OF 0.100"+/-0.006" ALUMINUM



TITLE:  
600A C/T & METER FITTING  
3 $\phi$ 4W 65,000A WITHSTAND RATING  
TYPE 3R

JOB:

CUSTOMER:

REV: 10/31/2017  
DATE: 04/26/2016  
DWG#:  
CTMF6034

POWER DISTRIBUTION EQUIPMENT CO, INC.  
3010 WILLOW STREET  
FRANKLIN PARK, IL 60131  
PH: (847) 455-2500; FAX: (847) 455-2595

DWN: TS

JOB#:  
NTS  
PAGE 1 OF 1