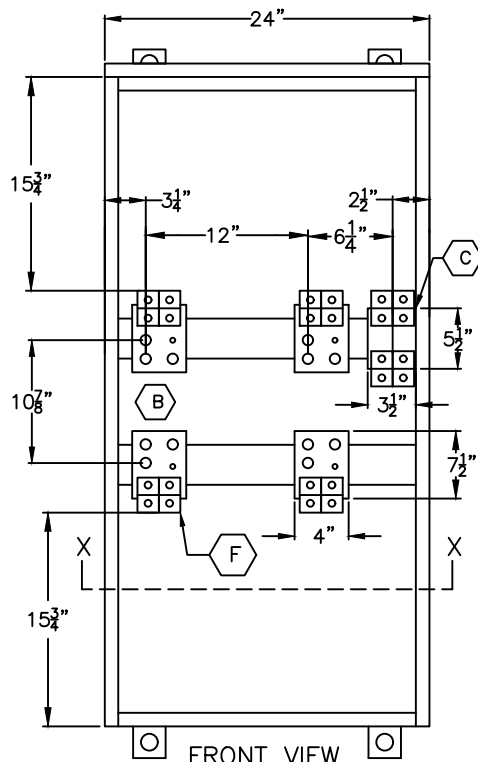
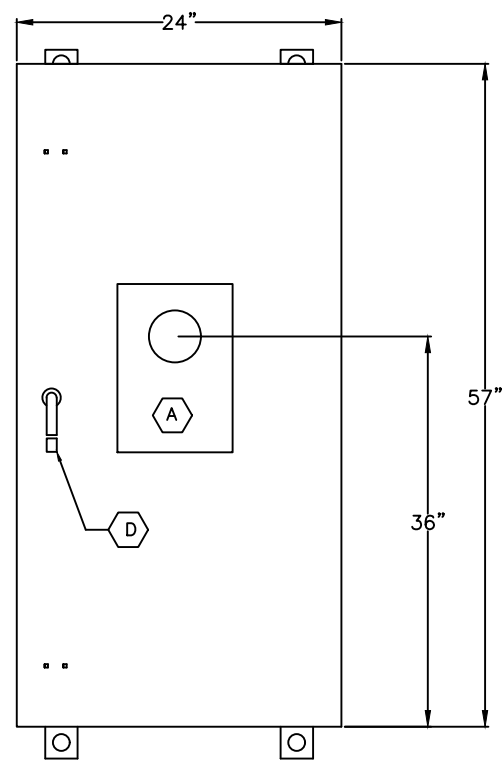


SIDE VIEW  
(LESS DOOR)

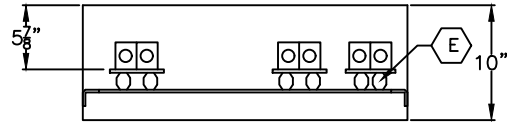


FRONT VIEW  
(LESS DOOR)

- A METER FITTING, 1Ø 3W, C/T RATED, 6 JAW.
- B 1/4"x4"x7-1/2" SILVER PLATED COPPER PHASE DETAILS WITH (2) 750MCM OR (4) 350MCM LUGS
- C 2-1/4"x4"x13-1/2" SILVER PLATED COPPER NEUTRAL DETAILS WITH (2) 750MCM OR (4) 350MCM LINE & LOAD LUG
- D PADLOCKABLE HANDLE WITH 3-POINT CATCH AND PROVISION FOR 7/16" DIAMETER LOCK
- E GLASTIC INSULATORS.
- F 2-750MCM PER PHASE & NEUTRAL.



FRONT ENCLOSED  
VIEW



VIEW AT X-X

- GENERAL NOTES:**
- CURRENT TRANSFORMER METERING CABINET 1Ø3W, AS PER COMED REQUIREMENTS AS PER PAGES 172 & 173.
  - TYPE 3R OUTDOOR ENCLOSURE.
  - ENCLOSURE MADE OF 0.100"+/-0.006" ALUMINUM



TITLE:  
800A C/T & METER FITTING  
1Ø3W 65,000A WITHSTAND RATING  
TYPE 3R

JOB:

CUSTOMER:

REV: 10/31/2017  
DATE: 04/28/2016  
DWG#:  
CTMF8013  
DWN: TS

POWER DISTRIBUTION EQUIPMENT CO, INC.  
3010 WILLOW STREET  
FRANKLIN PARK, IL 60131  
PH: (847) 455-2500; FAX: (847) 455-2595

JOB#:  
NTS  
PAGE 1 OF 1