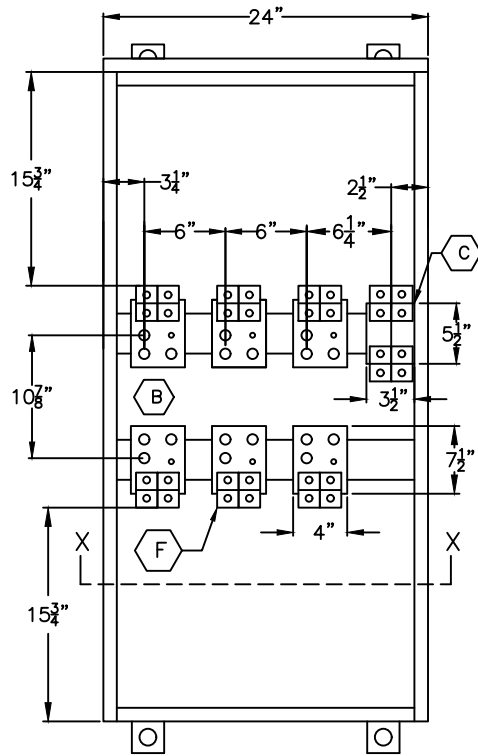
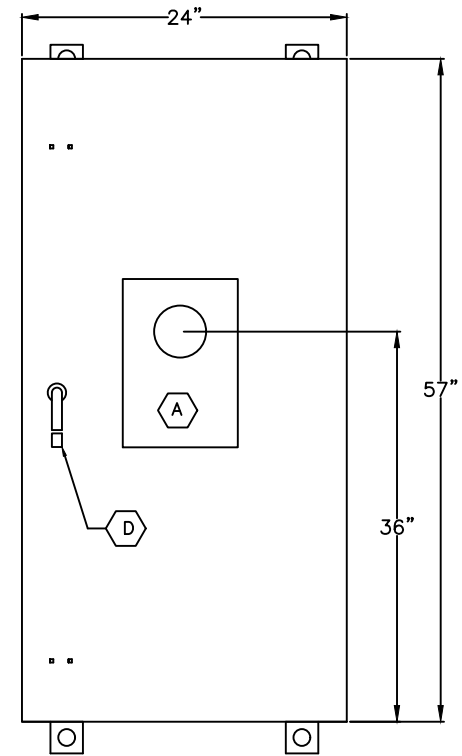


SIDE VIEW
(LESS DOOR)

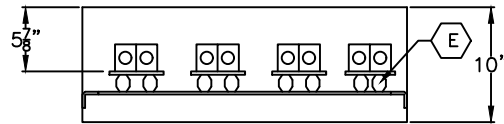


FRONT VIEW
(LESS DOOR)

- (A) METER FITTING, 3Ø 4W, C/T RATED, 13 JAW.
- (B) 1/4"x4"x7-1/2" SILVER PLATED COPPER PHASE DETAILS WITH (2) 750MCM OR (4) 350MCM LUGS
- (C) 1/4"x3-1/2" SILVER PLATED COPPER NEUTRAL DETAILS WITH (2) 750MCM OR (4) 350MCM LINE & LOAD LUGS
- (D) PADLOCKABLE HANDLE WITH 3-POINT CATCH AND PROVISION FOR 7/8" DIAMETER LOCK
- (E) GLASTIC INSULATORS.
- (F) 2-750MCM PER PHASE & NEUTRAL.



FRONT ENCLOSED
VIEW



VIEW AT X-X

GENERAL NOTES:

- CURRENT TRANSFORMER METERING CABINET 3Ø4W, AS PER COMED REQUIREMENTS AS PER PAGES 172 & 173.
- TYPE 3R OUTDOOR ENCLOSURE.
- ENCLOSURE MADE OF 0.100"+/-0.006" ALUMINUM



TITLE:
800A C/T & METER FITTING
3Ø4W 65,000A WITHSTAND RATING
TYPE 3R

JOB:

CUSTOMER:

REV: 10/31/2017
DATE: 04/28/2016
DWG#:
CTMF8034

POWER DISTRIBUTION EQUIPMENT CO, INC.
3010 WILLOW STREET
FRANKLIN PARK, IL 60131
PH: (847) 455-2500; FAX: (847) 455-2595

DWN: TS

JOB#:
NTS
PAGE 1 OF 1